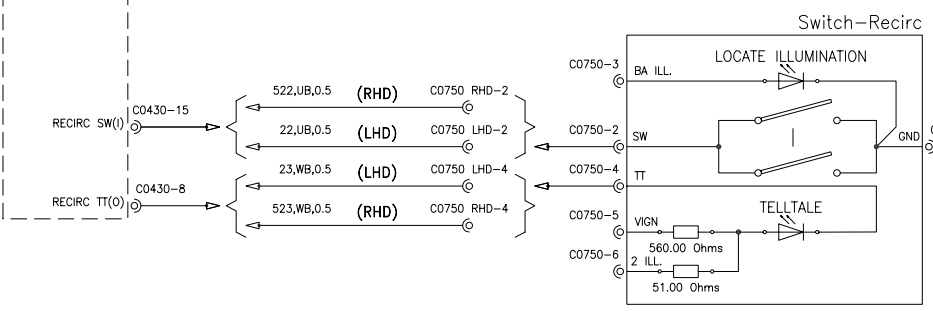


FOR OTHER CONNECTIONS ON SWITCH REFER TO PAGES FOR BACKGROUND ILLUMINATION.



FOR OTHER CONNECTIONS ON SWITCH REFER TO PAGES FOR BACKGROUND ILLUMINATION.



DRAWN BY AP
DATE 13-07-07

TITLE AIR CONDITIONING
SUB-SYSTEM TITLE

PROJECT VH105/35
BUILD IB

CPSC 00.06.51
REV LEVEL 1

AML DRG No. 8G43-14T400-AA